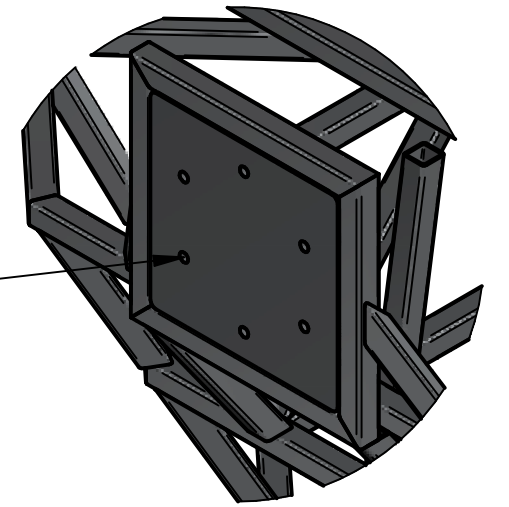
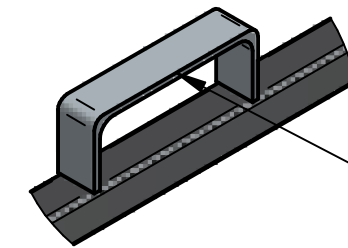


Mold
Mounting plate

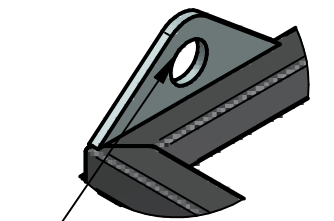
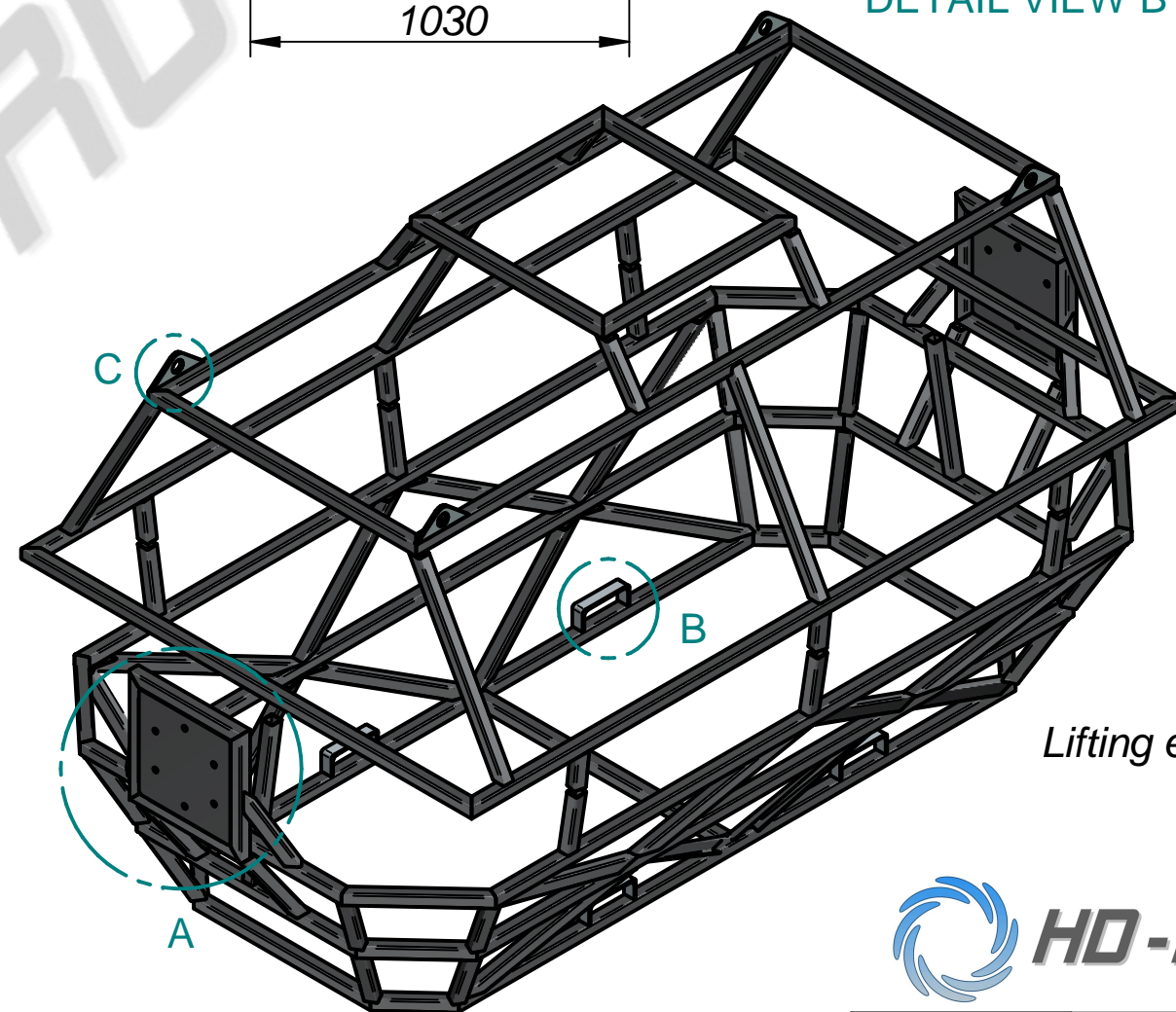
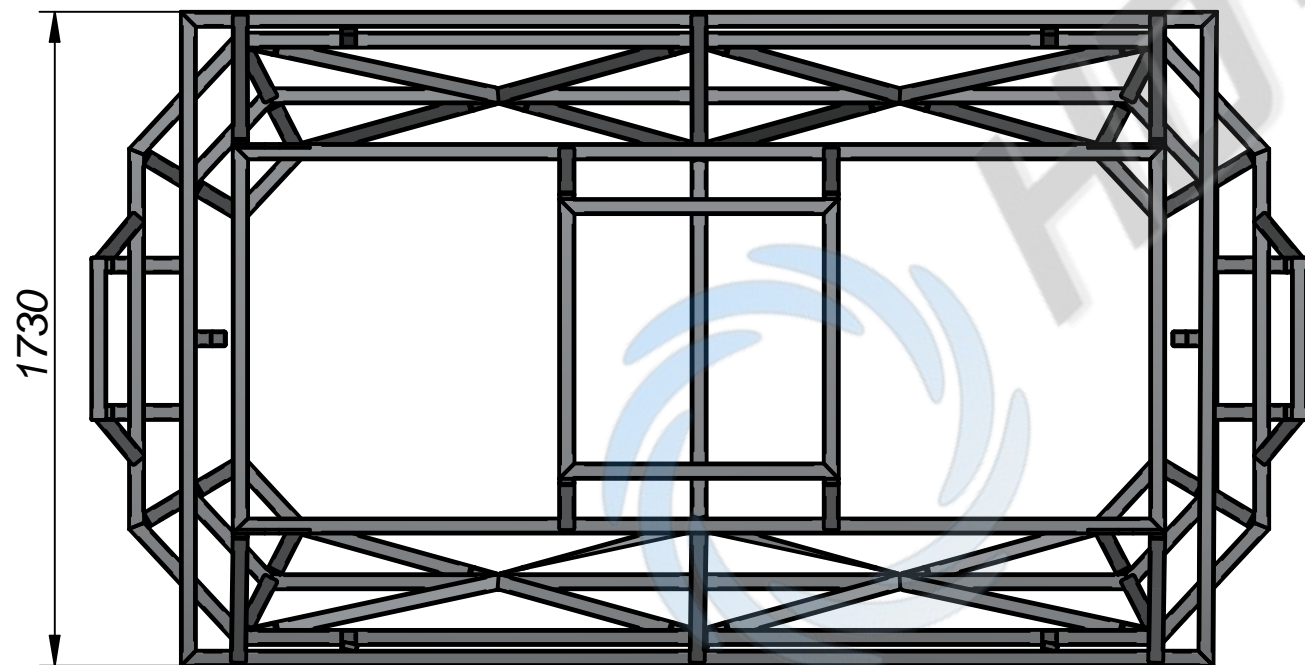


DETAIL VIEW A



Forklift passage

DETAIL VIEW B



DETAIL VIEW C

Lifting eye



HD-ROTA TECH

Weight: 260 kg

3500 Horizontal Mold